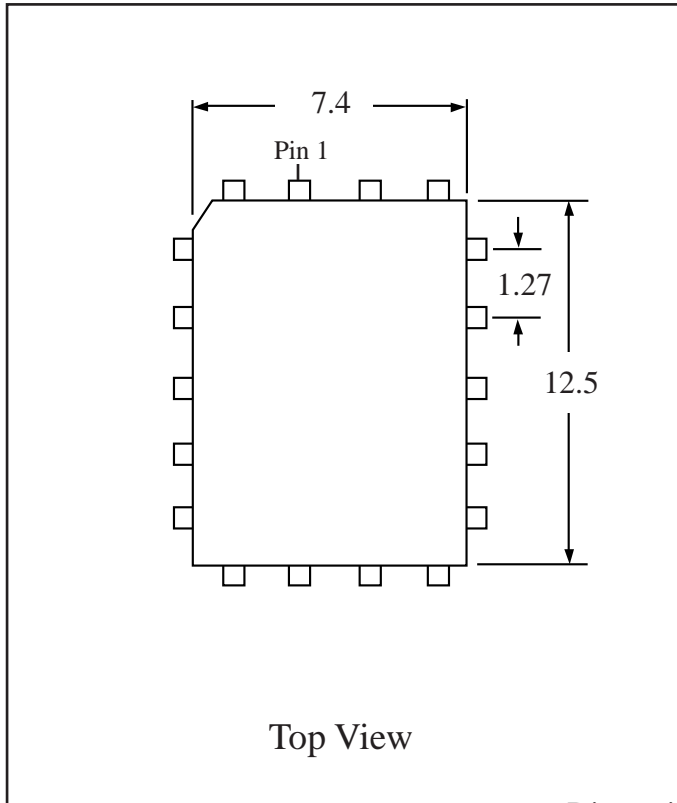


Part # **PLCC18(L)**
 Leads **18** Pitch **1.27mm (50mils)**
 Body Size **7.4mm x 12.5mm**

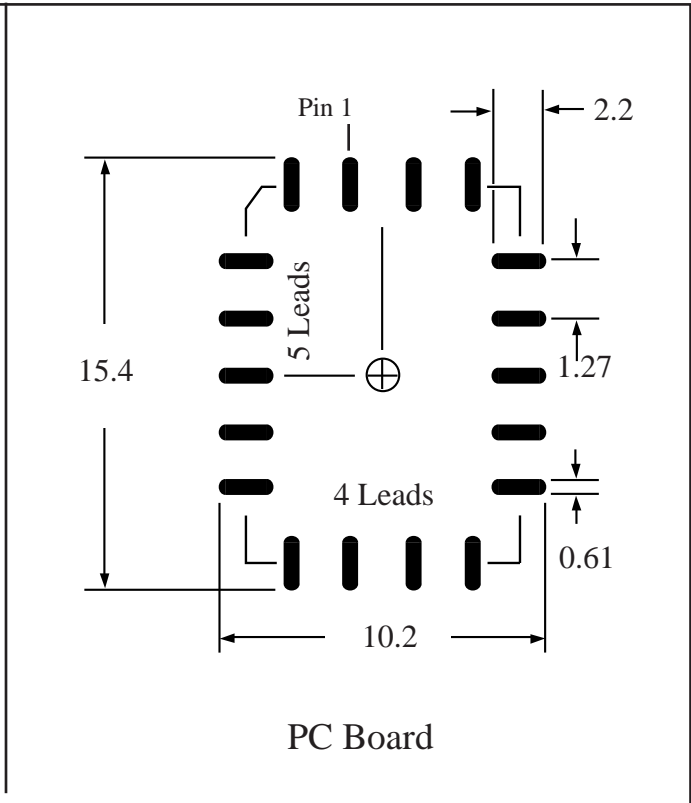
Dwg PLCC18.pdf



Tel 1-714-898-3830
 info@topline.to

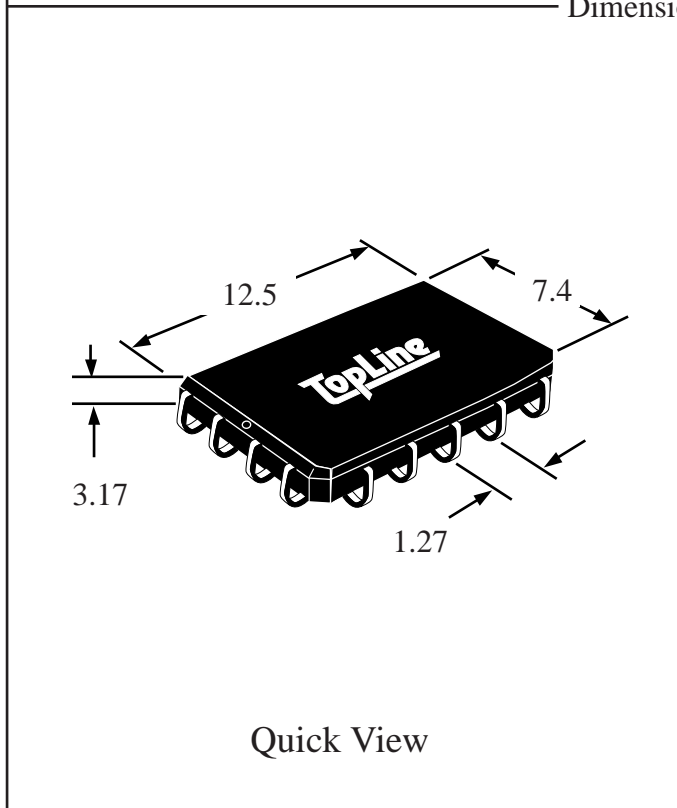


Top View

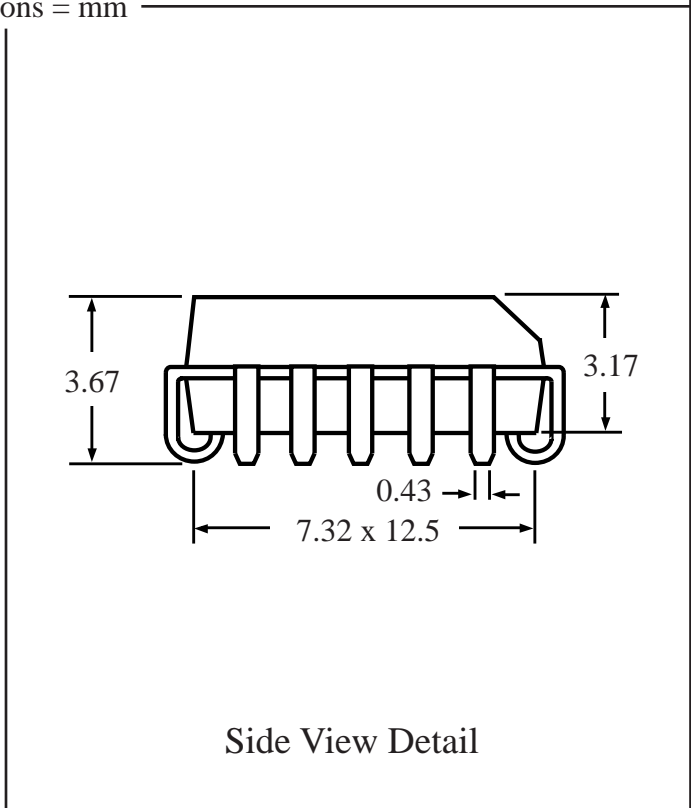


PC Board

Dimensions = mm



Quick View



Side View Detail