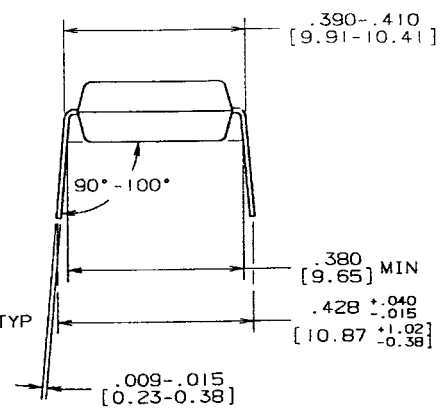
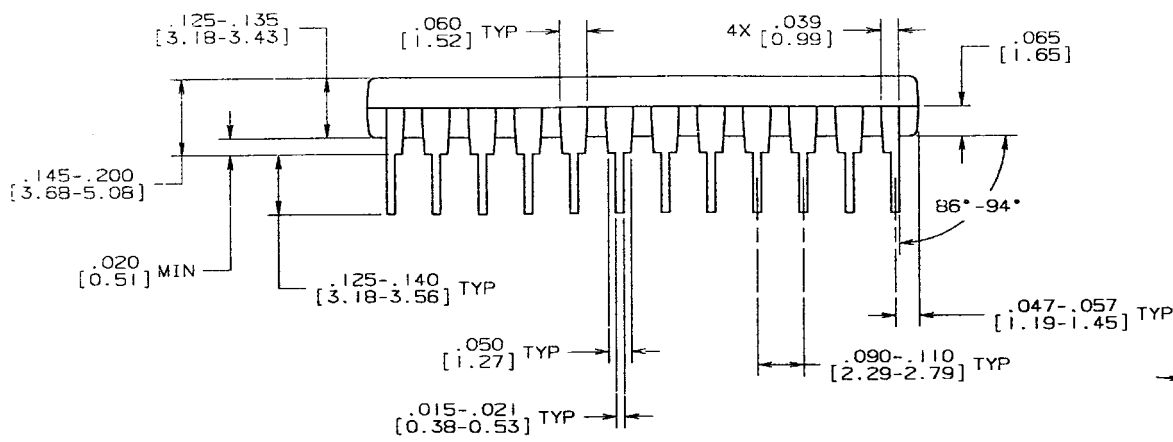
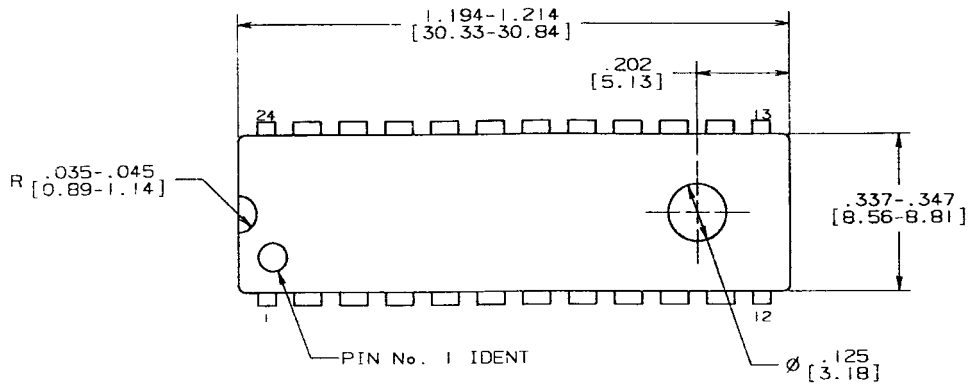


REVISIONS				
LTR	DESCRIPTION	E.C.N.	DATE	BY/APP'D
A	RELEASE TO DOCUMENT CONTROL	06256	11/12/90	PG/B.H



NOTES: UNLESS OTHERWISE SPECIFIED

- STANDARD LEAD FINISH:  
200 MICRONS/5.08 MICROMETERS MINIMUM  
LEAD/TIN: 37/63 ON COPPER OR EQUIVALENT.

APPROVALS			DATE	CONTROLLING DIMENSION: INCH		
DRAWN P. GIFFORD		11/12/90		 2900 Semiconductor Drive, Santa Clara, CA 95052-8090  <b>MOLDED DIP, 24 LEAD, .400 CENTERS</b>		
DFTG. CHR. Walter S. Kelly		11/15/90				
ENGR. Paul Hawthorne		11/15/90				
APPROVAL						
 PROJECTION INCH (MM)			SCALE	SIZE	DRAWING NUMBER	REV
			N/A	C	MKT-N24E	A
FORMERLY:			N/A	SHEET 1 OF 1		